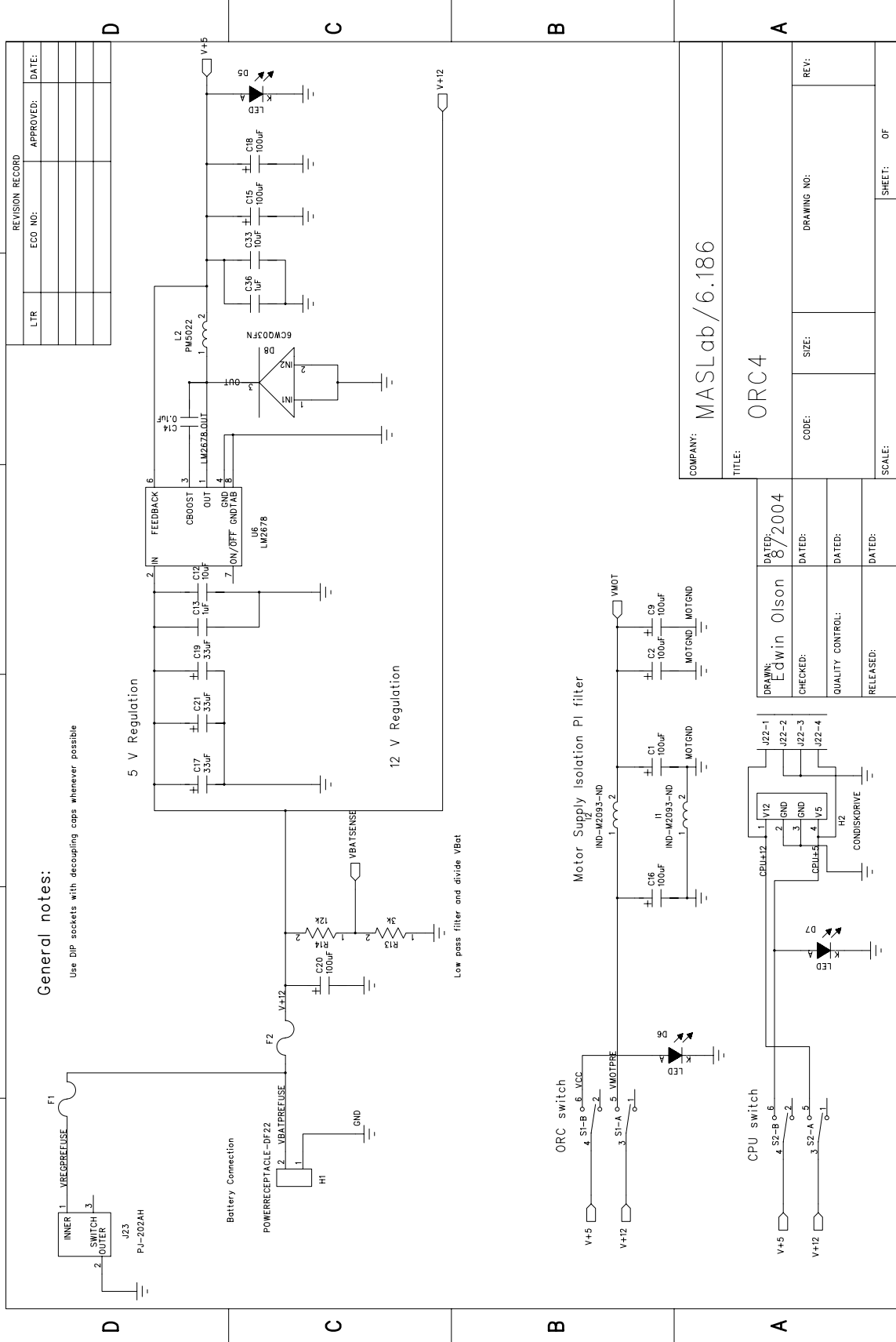


6 5 4 3 2 1

**General notes:**

Use DIP sockets with decoupling caps whenever possible

REVISION RECORD	
LTR	DATE:
ECO NO:	APPROVED:



5 V Regulation

12 V Regulation

Motor Supply Isolation PI filter

ORC switch

CPU switch

COMPANY: MASLab/6.186

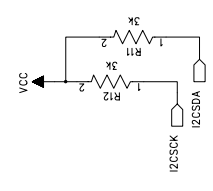
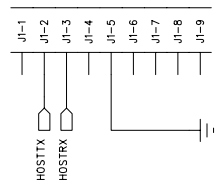
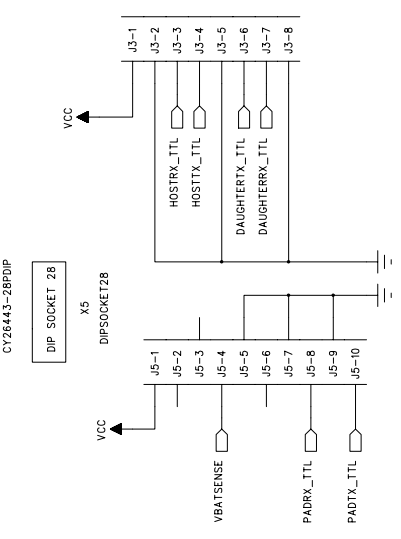
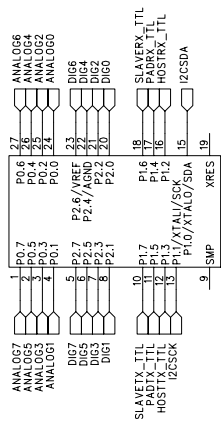
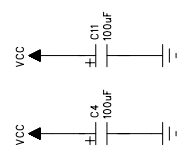
TITLE: ORC4

DRAWN: Edwin Olson	DATED: 8/2004
CHECKED:	DATED:
QUALITY CONTROL:	DATED:
RELEASED:	DATED:

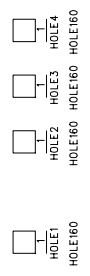
CODE:	SIZE:	DRAWING NO:	REV:
SCALE:		SHEET: 0F	

6 5 4 3 2 1

REVISION RECORD		
LTR	ECO NO:	DATE:

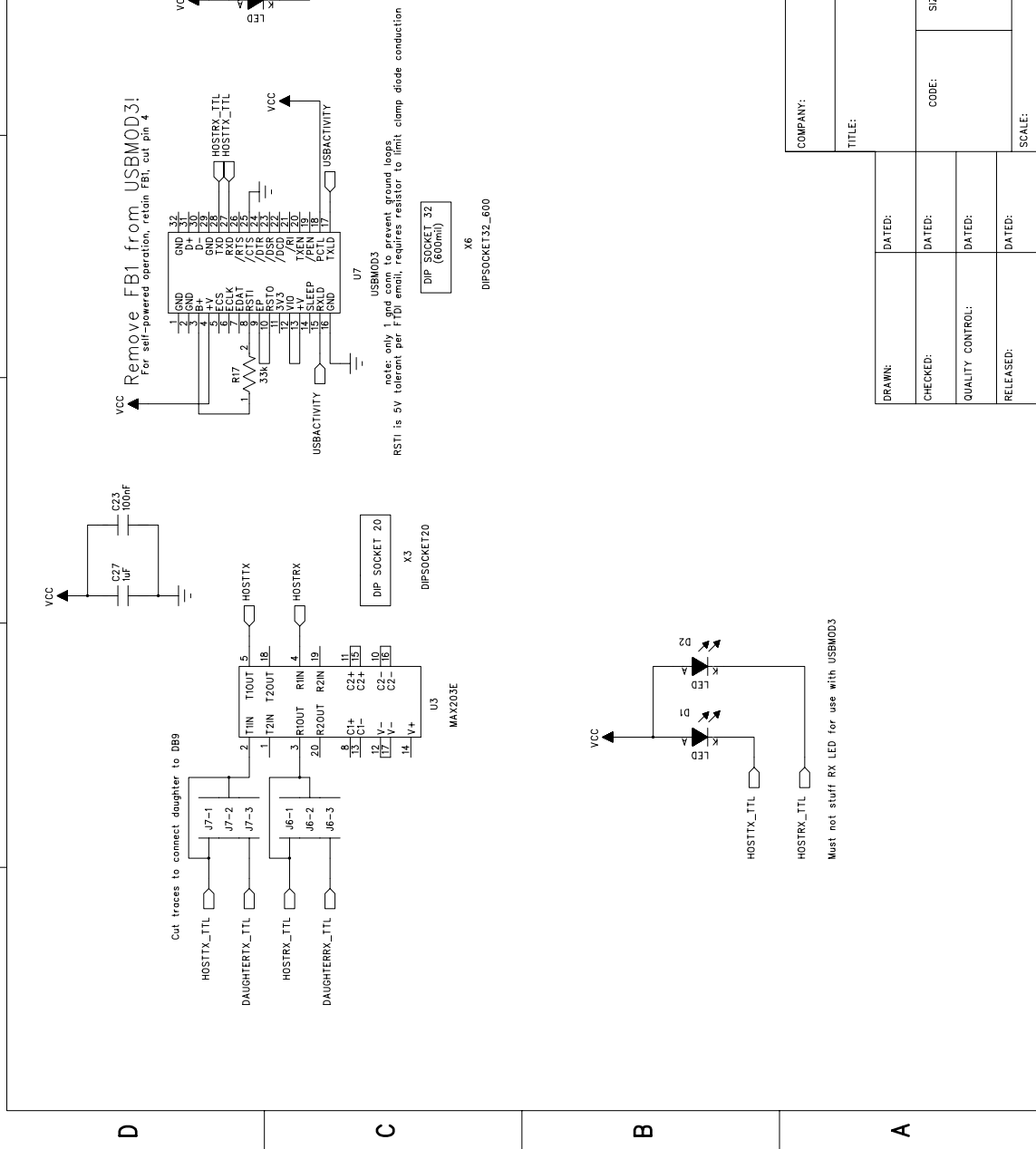


COMPANY: MASLab/6.186		DRAWING NO: ORC3	
TITLE: ORC3		REV: 0F	
DRAWN: Edwin Olson	DATED: 8/2003	CODE:	SIZE:
CHECKED:	DATED:	QUALITY CONTROL:	DATED:
RELEASED:	DATED:	SCALE:	SHEET: 0F



6 5 4 3 2 1

REVISION RECORD		
LTR	ECO NO:	DATE:



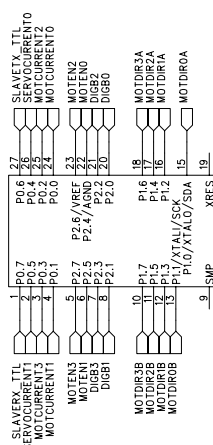
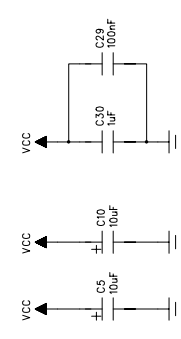
**Remove FB1 from USBM03!**  
For self-powered operation, retain FB1, cut pin 4

note: only 1 gnd conn to prevent ground loops  
RST1 is 5V tolerant per FDI email, requires resistor to limit clamp diode conduction

DRAWN:		DATED:	
CHECKED:		DATED:	
QUALITY CONTROL:		DATED:	
RELEASED:		DATED:	
COMPANY:	CODE:	SIZE:	REV:
TITLE:	SCALE:	SHEET: 0F	OF

6 5 4 3 2 1

REVISION RECORD		
LTR	ECO NO:	DATE:



U2  
CY26443--28PDIP  
DIP SOCKET 28  
X4  
DIPSOCKET28

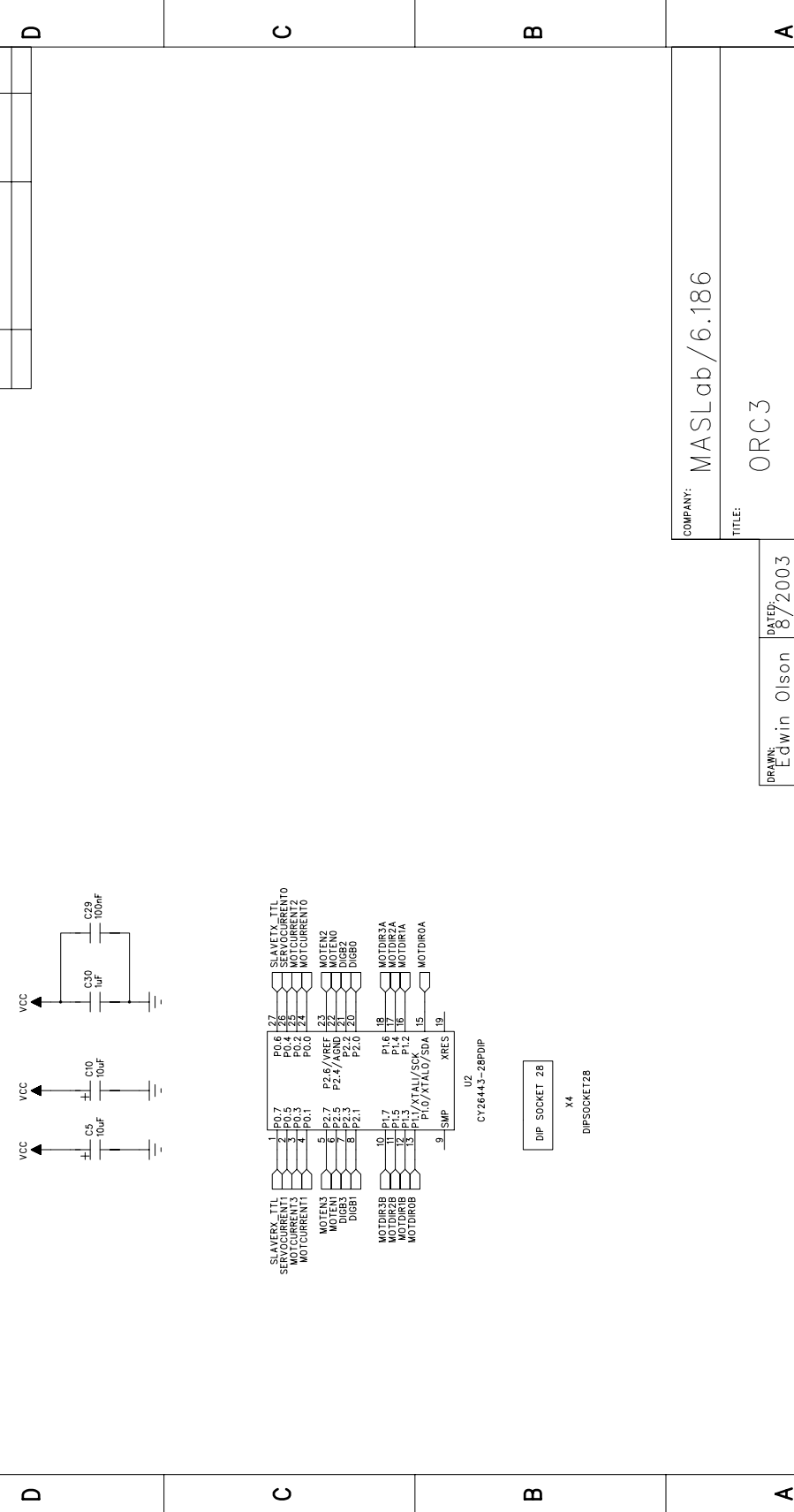
COMPANY: MASLab/6.186

TITLE: ORC3

DRAWN: Edwin Olson	DATED: 8/2003
CHECKED:	DATED:
QUALITY CONTROL:	DATED:
RELEASED:	DATED:

CODE:	SIZE:	DRAWING NO:	REV:

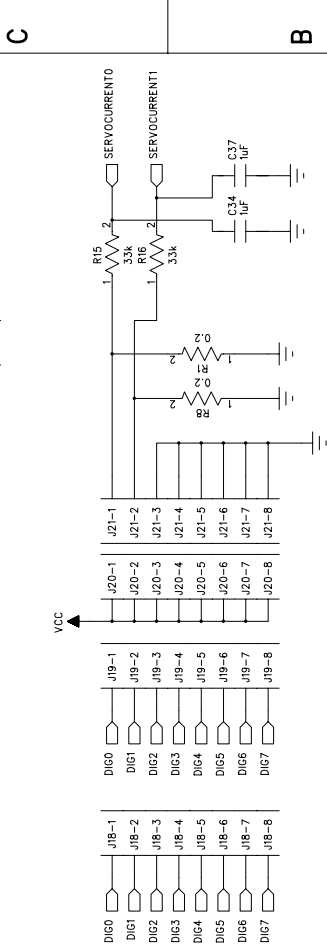
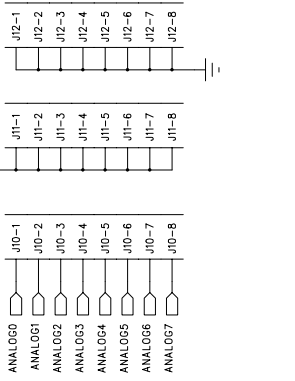
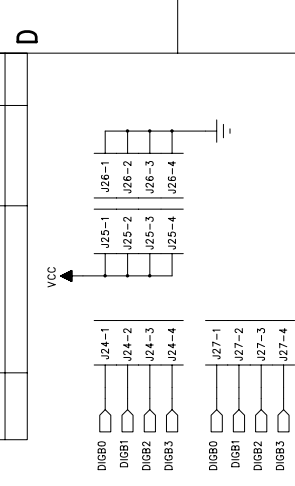
SCALE: SHEET: 0F



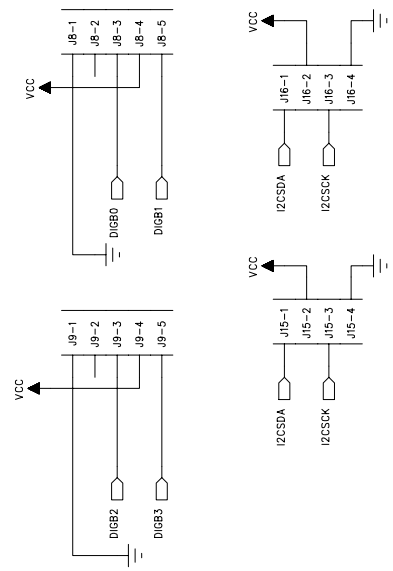
6 5 4 3 2 1

Cut Header Requirements:  
 PART NUMBER QTY per ORC  
 female 1x36 929974-01-36-ND 1.0 strip  
 female 2x36 929975-01-36-ND 0.7 strip  
 male 2x36 S2012-36-ND 0.2 strip  
 Motor Connector Housing: WM2122-ND  
 Motor Connector Crimps: WM2300-ND  
 Battery Connector Housing: H2784-ND  
 Battery Connector Crimps: H2788CT-ND  
 Battery Fuse Holder: F062-ND (8") F1467-ND (19")  
 Battery Fuse (3AG): F122-ND (4A) F224-ND (6A)

REVISION RECORD		
LTR	ECO NO:	DATE:



Quadrature Phase Decoders



Time constant > 33ms

COMPANY: MASLab/6.186	
TITLE: ORC3	
DRAWN: Edwin Olson	DATED: 8/2003
CHECKED:	DATED:
QUALITY CONTROL:	DATED:
RELEASED:	DATED:
CODE:	SIZE:
DRAWING NO:	REV:
SCALE:	SHEET: 0F

D

C

B

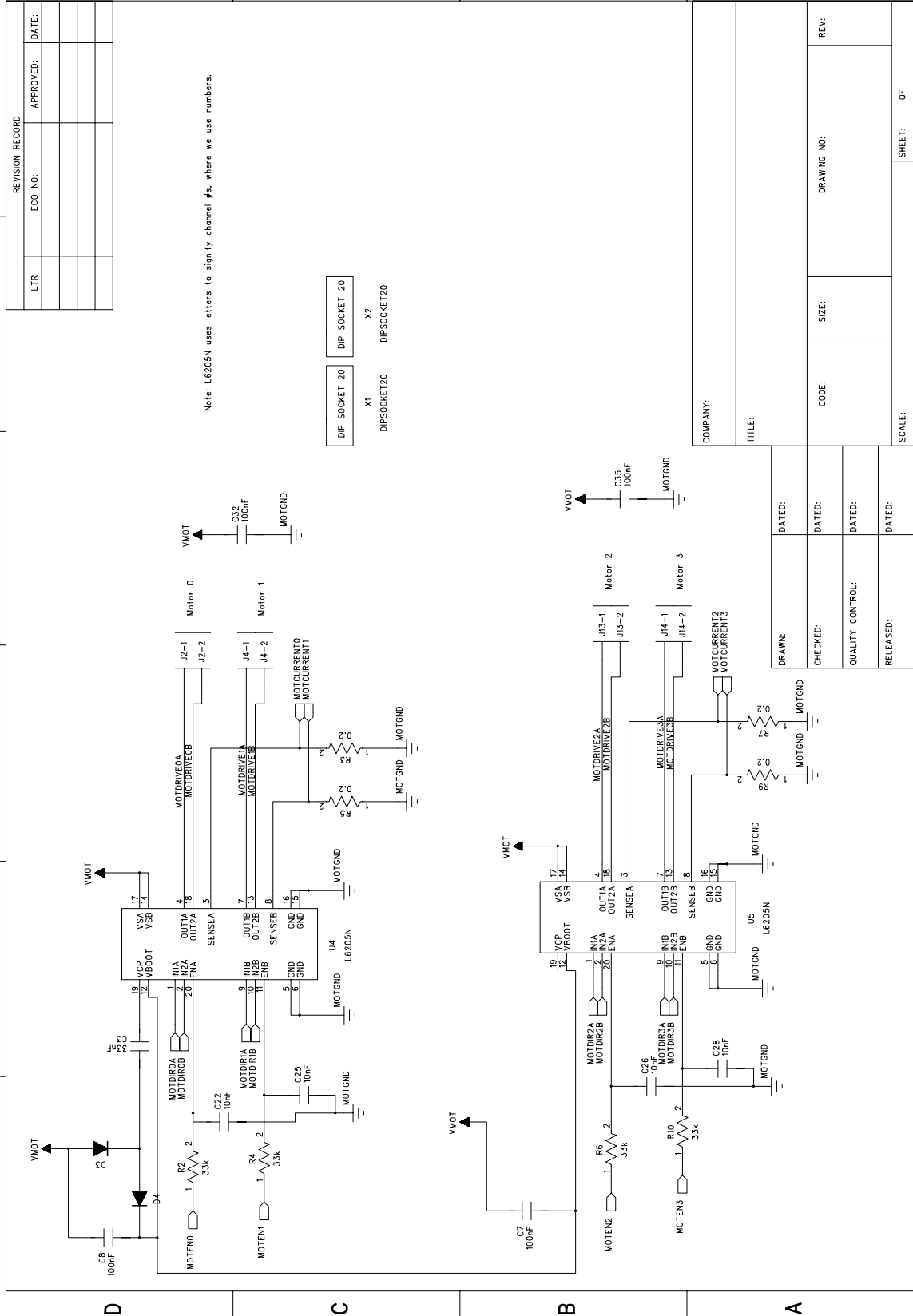
A

6 5 4 3 2 1

REVISION RECORD		
LTR	ECO NO:	DATE:

Note: L6205N uses letters to signify channel #s, where we use numbers.

- DIP SOCKET 20 X1
- DIP SOCKET 20 X2
- DIP SOCKET 20
- DIP SOCKET 20
- DIP SOCKET 20
- DIP SOCKET 20



COMPANY:		DRAWING NO:		REV:	
TITLE:		CODE:		SIZE:	
DRAWN:		CHECKED:		QUALITY CONTROL:	
DATED:		DATED:		DATED:	
RELEASED:		DATED:		DATED:	
SCALE:		SHEET:		OF	