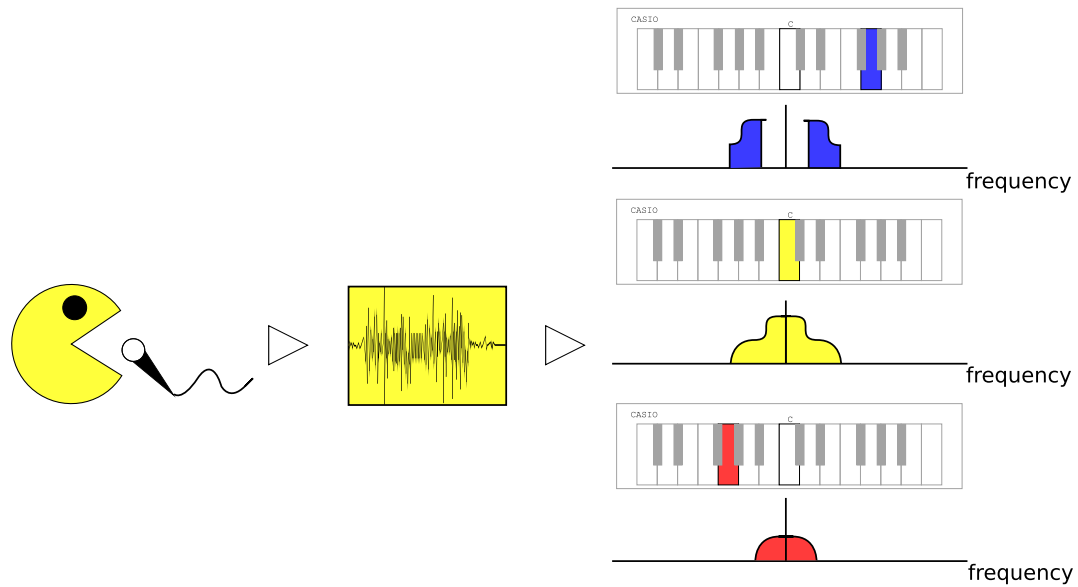


The Wumpus

Sampling Synthesizer Keyboard

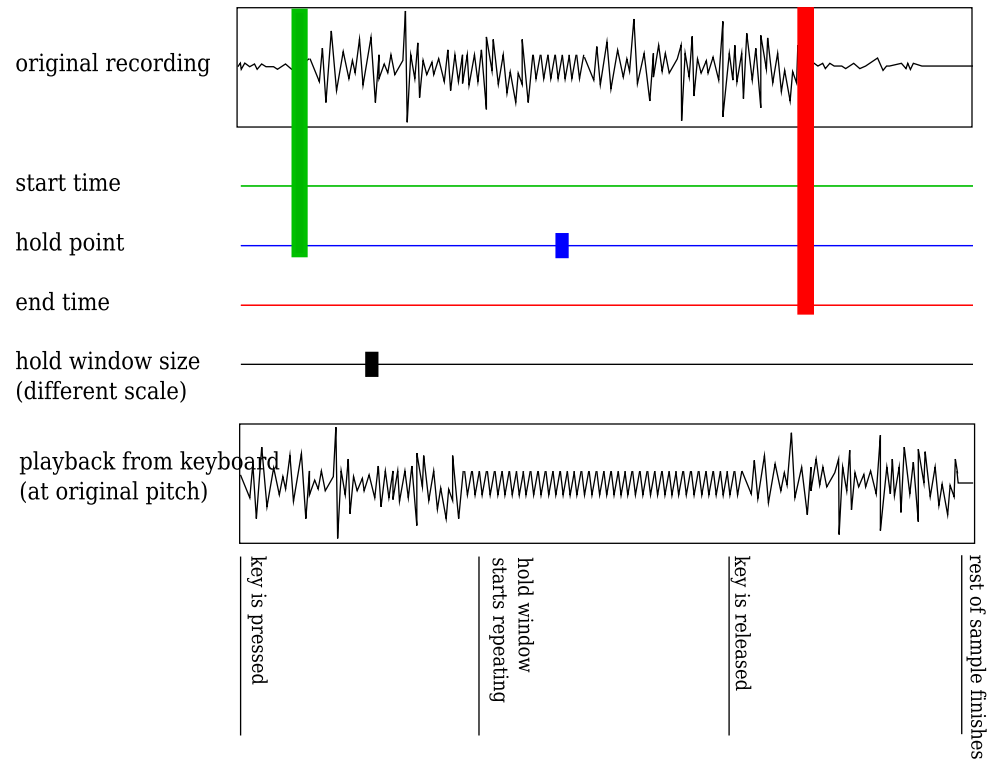
Damon Vander Lind and Mark Tobenkin



The user records a sample into memory.
Pressing different keys on a MIDI keyboard replays the sample with shifts in frequency.
Up to ten notes can be played simultaneously.

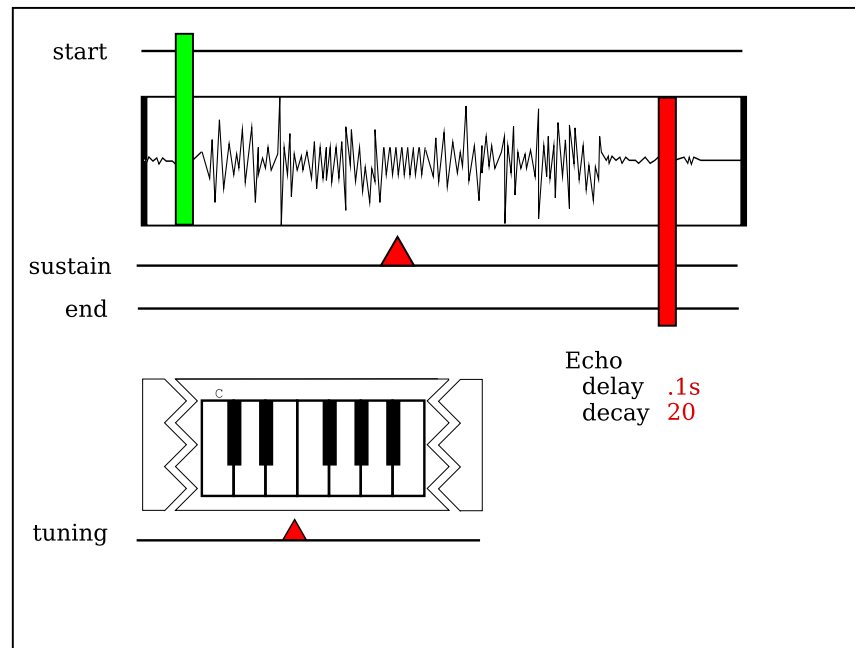
November 16th, 2005

Start, End, Vowel Hold



User Interface

The Wumpus
Sampling Synthesizer Keyboard
Damon Vander Lind and Mark Tobenkin



A external monitor allows a user to fine tune their playback.
The user can crop the beginning and end of their sample.
The key which the original sample plays at can be adjusted by tuning.

November 16th, 2005

Block Diagram

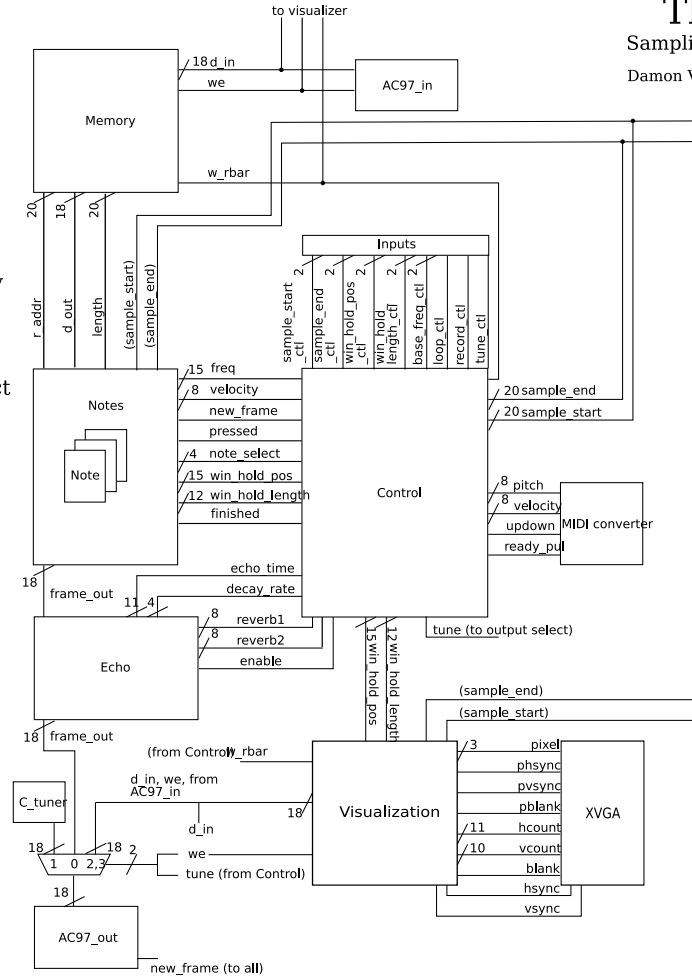
During recording, a new sound goes directly into sample from AC97_in

During keyboard playback, individual NOTE's in NOTES play back the sample scaled in frequency to match the notes pressed on the keyboard

During loop playback, the sample is replayed on loop scaled by base frequency. pressing sin_select toggles a sin wave at middle C (for tuning your sample)

The Wumpus Sampling Synthesizer Keyboard

Damon Vander Lind and Mark Tobenkin

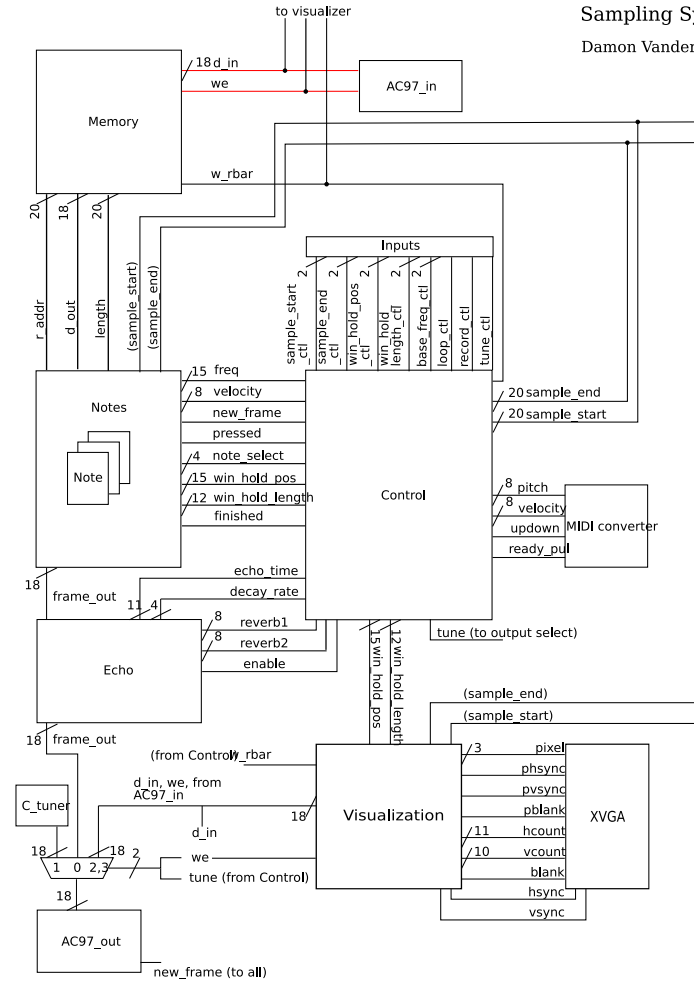


November 16th, 2005

Record Mode

The incoming recording is clocked into Memory, and a mux switches the output sound to be the input sound

The Wumpus
Sampling Synthesizer Keyboard
Damon Vander Lind and Mark Tobenkin



November 16th, 2005

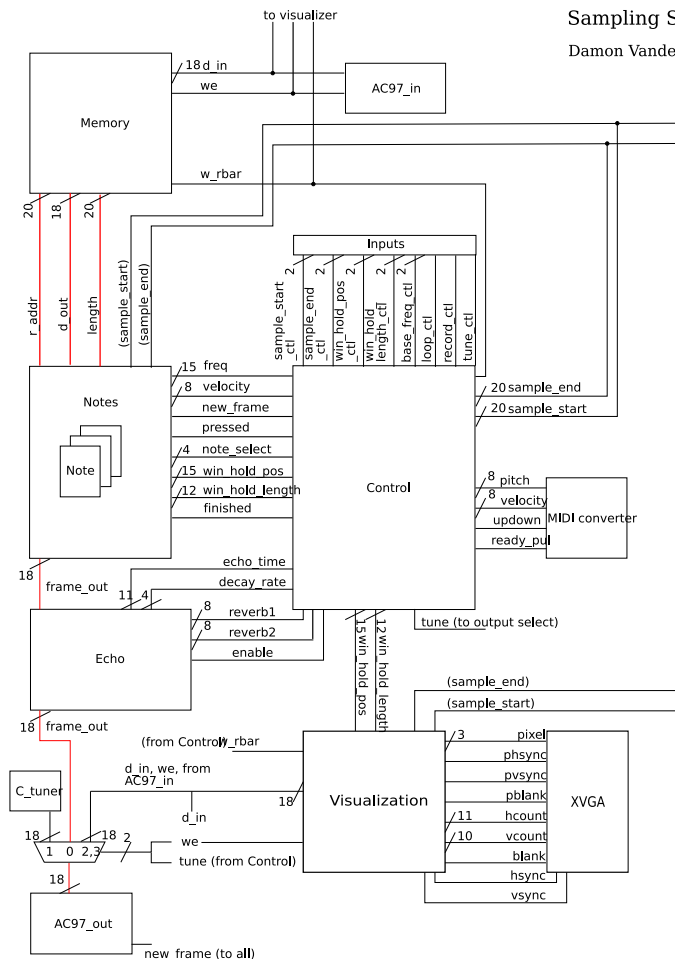
Playback Mode

When a key is pressed, it is entered into a queue in Control. Key presses are read out of the queue into Note's as they become available, unless too much time elapses

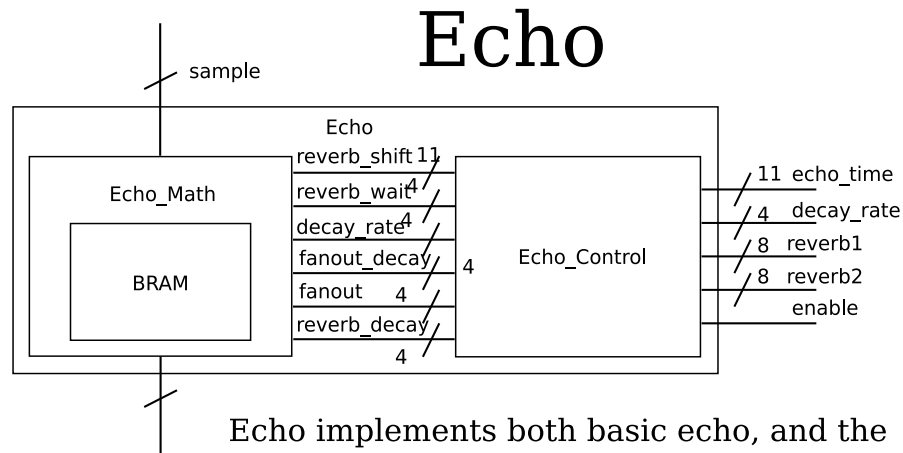
For each key pressed, The sample, from start to end, is read out of Sample, and processed through a Note and Echo before being fed into AC97_out.

The Wumpus Sampling Synthesizer Keyboard

Damon Vander Lind and Mark Tobenkin



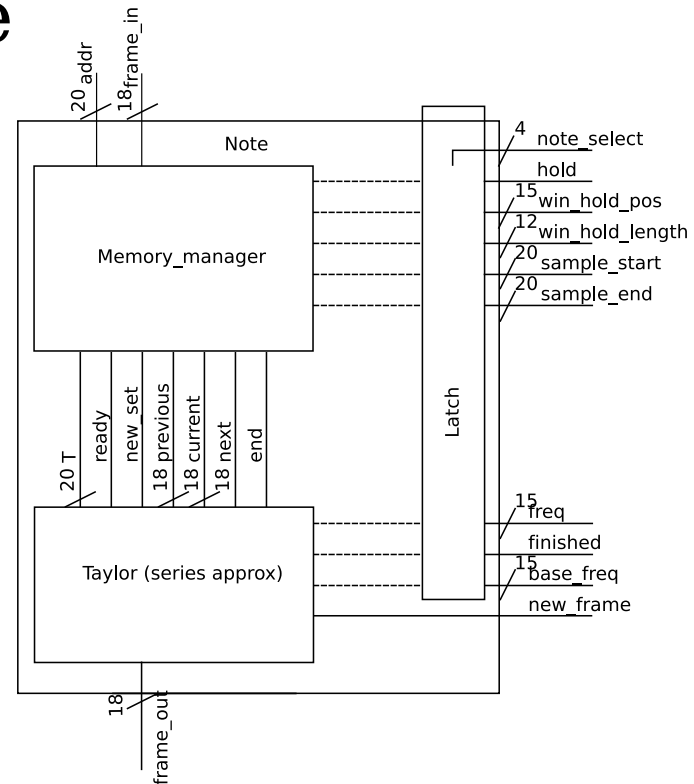
November 16th, 2005



Echo implements both basic echo, and the more complicated reverb function. Reverb is set through a large number of variables controlling the creation of multiple echos at closely related echo_times. The control of this function is simplified in Echo_Control to correspond to two 8 bit numbers that make a basic echo when set to 0.

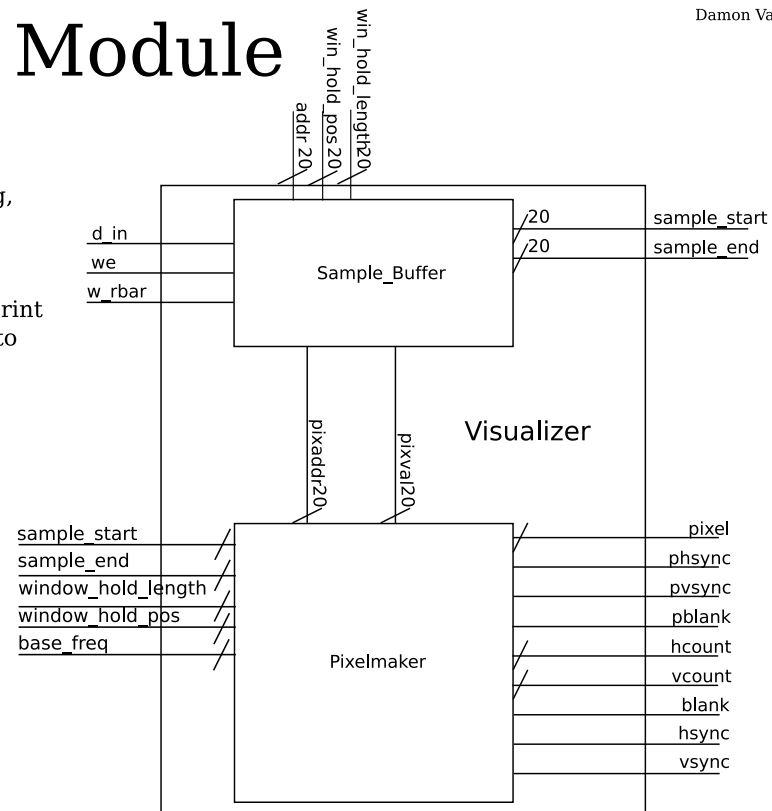
An Individual Note

The memory manager buffers three frames of memory for the Taylor series module. Taylor asks Memory_manager for a frame T frames away. T is mapped, in the case of window hold, to a cycle of memory addresses going from win_hold_pos to win_hold_pos + win_hold_length. In the case of length rescaling, a segment of memory addresses are repeated or deleted occasionally to lengthen or shorten the sample. Taylor does a second order approximation for frame_out.



Visualizer Module

The visualizer buffers a representation of the recording, and displays all other graphics through use of vectors in the Pixelmaker submodule. Sample_Buffer is accessed to print only the block of pixels meant to display the sound time series.



Block Diagram

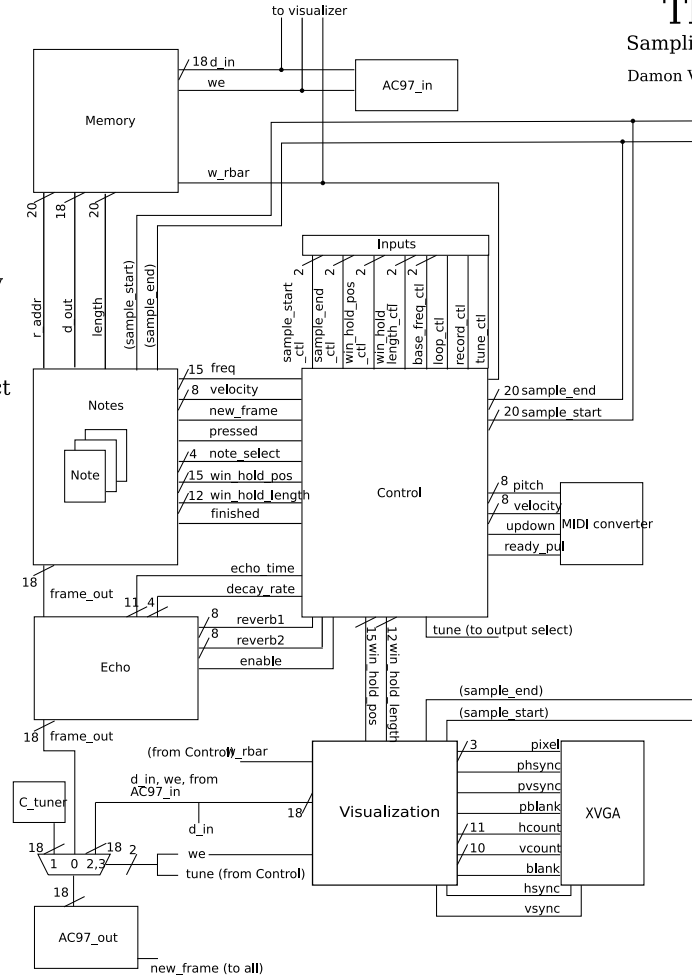
During recording, a new sound goes directly into sample from AC97_in

During keyboard playback, individual NOTE's in NOTES play back the sample scaled in frequency to match the notes pressed on the keyboard

During loop playback, the sample is replayed on loop scaled by base frequency. pressing sin_select toggles a sin wave at middle C (for tuning your sample)

The Wumpus Sampling Synthesizer Keyboard

Damon Vander Lind and Mark Tobenkin



November 16th, 2005